

REPLACEMENT SHEET
Applicant: Colin; Serial No. 09/830,096; Filed:11/06/2002

1/3

Handwritten signature and date: 9/18/03

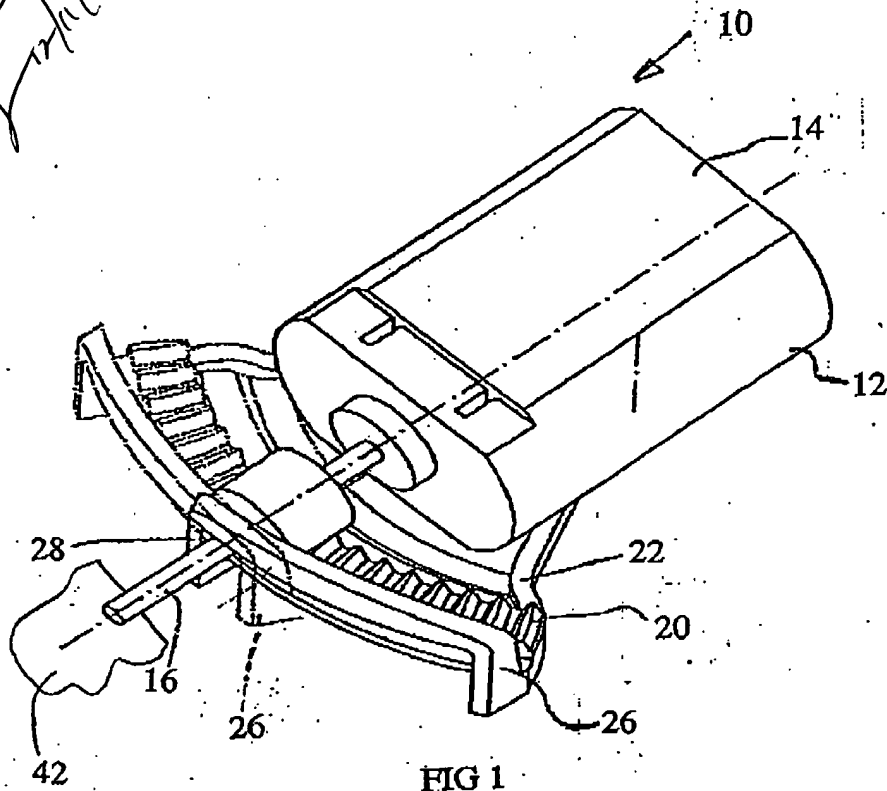


FIG 1

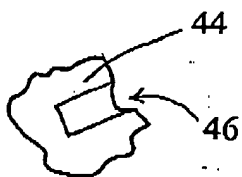


FIG. 1A

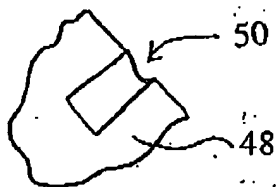


FIG. 1B

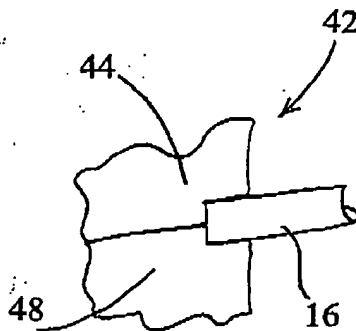
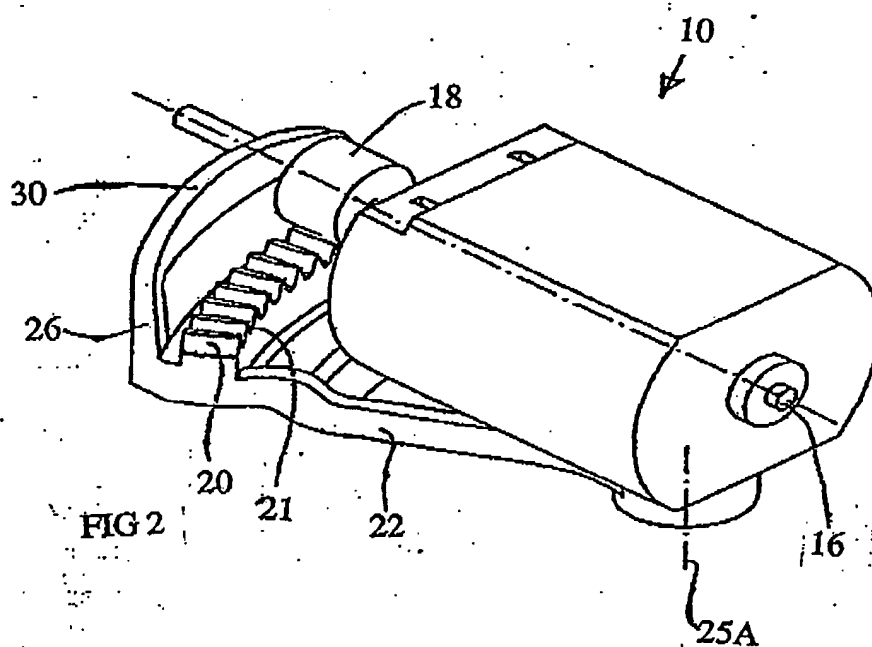


FIG. 1C

REPLACEMENT SHEET
Applicant: Colin; Serial No. 09/830,096; Filed: 11/06/2002

2/3



REPLACEMENT SHEET
Applicant: Colin; Serial No. 09/830.096; Filed:11/06/2002

3/3

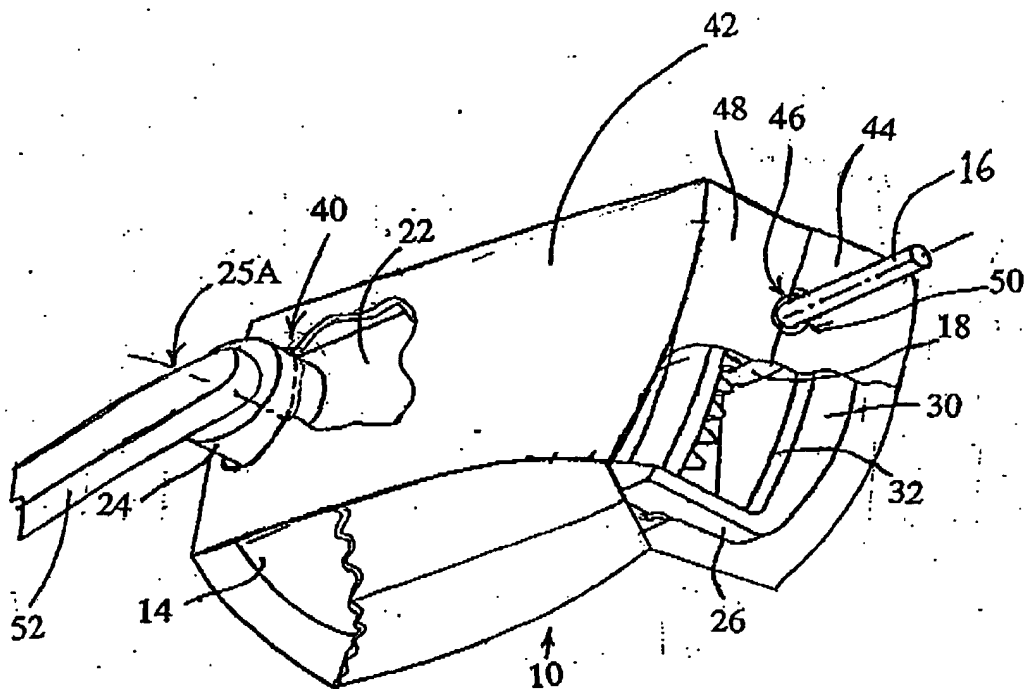


FIG 3